

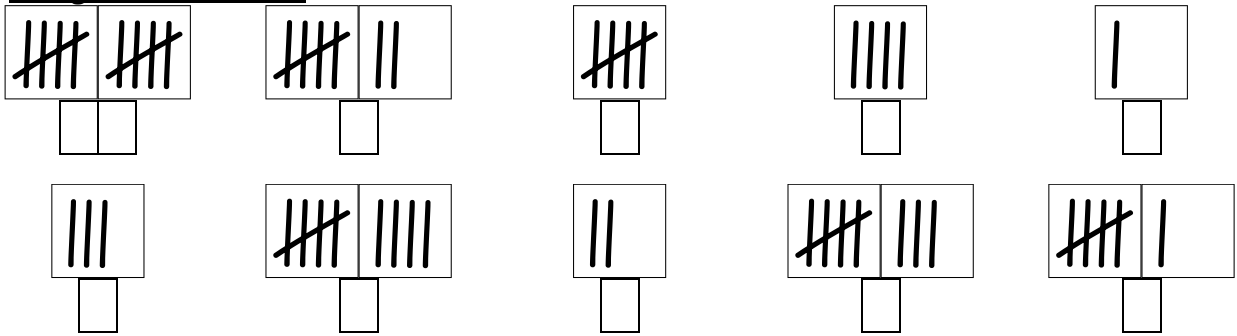
Sommer,
Sonne und
ein bisschen
Mathe!
Ich komme
bald in die
2. Klasse.

Name: _____

Deine Eltern möchten bitte alle Aufgaben kontrollieren und unten auf der Seite unterschreiben.
Zeige die Ferienaufgaben in der ersten Schulwoche deiner Lehrerin!

Zahlen bis 10

1. Mengen und Zahlen



2. Zahlenfolgen

| | | | | | | | | | | | | | | | | | | | | | | | | | | | | | | | | | | | | | | | | | | |
|---|---|---|---|--|--|--|--|--|--|--|--|--|--|--|--|--|--|--|--|--|--|--|--|--|--|--|--|--|--|--|--|--|--|--|--|--|--|--|--|--|--|--|
| 2 | 3 | 4 | 2 | | | | | | | | | | | | | | | | | | | | | | | | | | | | | | | | | | | | | | | |
| 5 | 6 | 7 | 5 | | | | | | | | | | | | | | | | | | | | | | | | | | | | | | | | | | | | | | | |
| 9 | 8 | 7 | 9 | | | | | | | | | | | | | | | | | | | | | | | | | | | | | | | | | | | | | | | |
| 5 | 4 | 3 | 5 | | | | | | | | | | | | | | | | | | | | | | | | | | | | | | | | | | | | | | | |

3. Ordnen

2 6 4 9 1 0 3 5 7 10 8

□ < □ < □ < □ < □ < □ < □ < □ < □ < □

4. Vergleichen <, > oder =

| | | | | | | | | |
|---|---|---|----|---|---|---|---|---|
| 8 | □ | 1 | 1 | □ | 0 | 6 | □ | 3 |
| 7 | □ | 8 | 2 | □ | 5 | 6 | □ | 4 |
| 1 | □ | 1 | 9 | □ | 6 | 3 | □ | 7 |
| 6 | □ | 3 | 0 | □ | 9 | 1 | □ | 0 |
| 7 | □ | 9 | 10 | □ | 3 | 2 | □ | 7 |

5. Addition

| | | |
|---------|---------|---------|
| 3 + 6 = | 3 + 2 = | 7 + 3 = |
| 1 + 5 = | 2 + 4 = | 4 + 4 = |
| 1 + 8 = | 1 + 3 = | 8 + 2 = |
| 4 + 1 = | 2 + 7 = | 3 + 3 = |
| 7 + 1 = | 1 + 2 = | 5 + 3 = |

6. Subtraktion

| | | |
|----------|---------|----------|
| 6 - 1 = | 3 - 2 = | 8 - 3 = |
| 7 - 5 = | 6 - 5 = | 5 - 2 = |
| 4 - 3 = | 8 - 7 = | 2 - 1 = |
| 10 - 3 = | 8 - 2 = | 10 - 1 = |
| 7 - 6 = | 3 - 1 = | 10 - 2 = |

7. Gemischte Aufgaben

| | | | | |
|---------|---------|----------|---------|----------|
| 1 + 7 = | 9 - 8 = | 9 - 5 = | 5 - 3 = | 5 + 2 = |
| 5 - 3 = | 5 + 1 = | 2 - 1 = | 4 + 4 = | 5 - 1 = |
| 4 + 4 = | 2 + 3 = | 7 - 5 = | 4 + 3 = | 9 + 1 = |
| 4 + 3 = | 8 + 2 = | 3 + 7 = | 7 + 2 = | 10 - 8 = |
| 7 + 2 = | 4 + 2 = | 10 - 4 = | 5 + 2 = | 6 - 1 = |

Grundaufgaben bis 10

| | | | | |
|---|---|---|---|--|
| 1 | | | | |
| 1 | + | 0 | = | |
| 0 | + | 1 | = | |

| | | | | |
|---|---|---|---|--|
| 6 | | | | |
| 6 | + | 0 | = | |
| 5 | + | | = | |
| 4 | + | | = | |
| 3 | + | | = | |
| 2 | + | | = | |
| 1 | + | | = | |
| 0 | + | | = | |

| | | | | |
|---|---|---|---|--|
| 9 | | | | |
| 9 | + | 0 | = | |
| 8 | + | | = | |
| 7 | + | | = | |
| 6 | + | | = | |
| 5 | + | | = | |
| 4 | + | | = | |
| 3 | + | | = | |
| 2 | + | | = | |
| 1 | + | | = | |
| 0 | + | | = | |

| | | | | |
|---|---|---|---|--|
| 2 | | | | |
| 2 | + | 0 | = | |
| 1 | + | | = | |
| 0 | + | | = | |

| | | | | |
|---|---|---|---|--|
| 7 | | | | |
| 7 | + | 0 | = | |
| 6 | + | | = | |
| 5 | + | | = | |
| 4 | + | | = | |
| 3 | + | | = | |
| 2 | + | | = | |
| 1 | + | | = | |
| 0 | + | | = | |

| | | | | |
|---|---|---|---|--|
| 3 | | | | |
| 3 | + | 0 | = | |
| 2 | + | | = | |
| 1 | + | | = | |
| 0 | + | | = | |

| | | | | | | |
|----|---|---|---|---|---|---|
| 10 | | | | | | |
| 1 | 0 | + | 0 | = | 1 | 0 |
| | 9 | + | 1 | = | 1 | 0 |
| | 8 | + | | = | 1 | 0 |
| | 7 | + | | = | 1 | 0 |
| | 6 | + | | = | 1 | 0 |
| | 5 | + | | = | 1 | 0 |
| | 4 | + | | = | 1 | 0 |
| | 3 | + | | = | 1 | 0 |
| | 2 | + | | = | 1 | 0 |
| | 1 | + | | = | 1 | 0 |
| | 0 | + | | = | 1 | 0 |

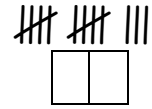
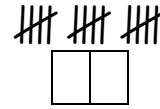
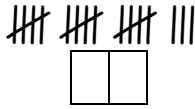
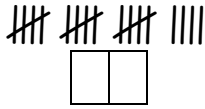
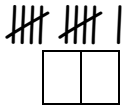
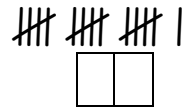
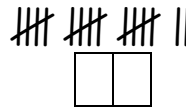
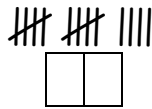
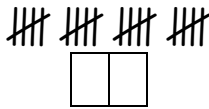
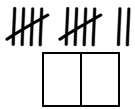
| | | | | |
|---|---|---|---|--|
| 4 | | | | |
| 4 | + | 0 | = | |
| 3 | + | | = | |
| 2 | + | | = | |
| 1 | + | | = | |
| 0 | + | | = | |

| | | | | |
|---|---|---|---|--|
| 8 | | | | |
| 8 | + | 0 | = | |
| 7 | + | | = | |
| 6 | + | | = | |
| 5 | + | | = | |
| 4 | + | | = | |
| 3 | + | | = | |
| 2 | + | | = | |
| 1 | + | | = | |
| 0 | + | | = | |

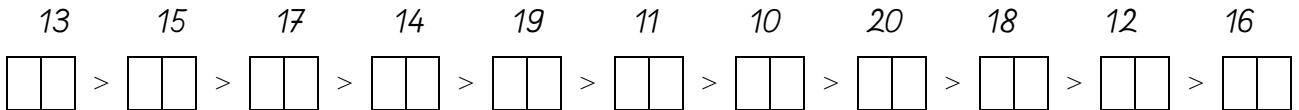
| | | | | |
|---|---|---|---|--|
| 5 | | | | |
| 5 | + | 0 | = | |
| 4 | + | | = | |
| 3 | + | | = | |
| 2 | + | | = | |
| 1 | + | | = | |
| 0 | + | | = | |

Zahlen bis 20

1. Mengen und Zahlen



2. Ordnen



3. Vergleichen <, > oder =

- | | | |
|----------------------------|----------------------------|----------------------------|
| 17 <input type="text"/> 16 | 15 <input type="text"/> 16 | 18 <input type="text"/> 11 |
| 17 <input type="text"/> 12 | 20 <input type="text"/> 14 | 19 <input type="text"/> 12 |
| 12 <input type="text"/> 13 | 12 <input type="text"/> 14 | 17 <input type="text"/> 18 |
| 17 <input type="text"/> 14 | 17 <input type="text"/> 17 | 14 <input type="text"/> 19 |
| 20 <input type="text"/> 17 | 16 <input type="text"/> 16 | 14 <input type="text"/> 20 |

4. Addition

- | | | |
|------------------------------|------------------------------|------------------------------|
| 8 + 6 = <input type="text"/> | 9 + 6 = <input type="text"/> | 6 + 7 = <input type="text"/> |
| 7 + 5 = <input type="text"/> | 9 + 4 = <input type="text"/> | 7 + 4 = <input type="text"/> |
| 6 + 6 = <input type="text"/> | 5 + 8 = <input type="text"/> | 8 + 8 = <input type="text"/> |
| 7 + 8 = <input type="text"/> | 7 + 7 = <input type="text"/> | 9 + 9 = <input type="text"/> |
| 6 + 8 = <input type="text"/> | 6 + 9 = <input type="text"/> | 7 + 6 = <input type="text"/> |

5. Subtraktion

- | | | |
|-------------------------------|-------------------------------|-------------------------------|
| 14 - 5 = <input type="text"/> | 11 - 2 = <input type="text"/> | 11 - 6 = <input type="text"/> |
| 18 - 9 = <input type="text"/> | 14 - 6 = <input type="text"/> | 16 - 8 = <input type="text"/> |
| 17 - 9 = <input type="text"/> | 14 - 7 = <input type="text"/> | 15 - 6 = <input type="text"/> |
| 11 - 4 = <input type="text"/> | 15 - 8 = <input type="text"/> | 12 - 6 = <input type="text"/> |
| 13 - 4 = <input type="text"/> | 17 - 8 = <input type="text"/> | 13 - 6 = <input type="text"/> |

7. Gemischte Aufgaben

- | | | | | |
|-------------------------------|-------------------------------|-------------------------------|-------------------------------|-------------------------------|
| 13 - 5 = <input type="text"/> | 14 - 9 = <input type="text"/> | 16 - 9 = <input type="text"/> | 18 - 9 = <input type="text"/> | 15 - 8 = <input type="text"/> |
| 18 - 9 = <input type="text"/> | 7 + 8 = <input type="text"/> | 3 + 8 = <input type="text"/> | 6 + 9 = <input type="text"/> | 12 - 8 = <input type="text"/> |
| 6 + 9 = <input type="text"/> | 15 - 7 = <input type="text"/> | 16 - 7 = <input type="text"/> | 16 - 8 = <input type="text"/> | 17 - 8 = <input type="text"/> |
| 16 - 8 = <input type="text"/> | 4 + 8 = <input type="text"/> | 5 + 6 = <input type="text"/> | 3 + 9 = <input type="text"/> | 2 + 9 = <input type="text"/> |
| 3 + 9 = <input type="text"/> | 11 - 8 = <input type="text"/> | 9 + 4 = <input type="text"/> | 15 - 8 = <input type="text"/> | 12 - 9 = <input type="text"/> |
| 11 - 7 = <input type="text"/> | 14 - 5 = <input type="text"/> | 7 + 7 = <input type="text"/> | 12 - 7 = <input type="text"/> | 7 + 6 = <input type="text"/> |
| 12 - 5 = <input type="text"/> | 11 - 9 = <input type="text"/> | 14 - 8 = <input type="text"/> | 13 - 6 = <input type="text"/> | 12 - 3 = <input type="text"/> |
| 14 - 6 = <input type="text"/> | 9 + 5 = <input type="text"/> | 11 - 4 = <input type="text"/> | 13 - 7 = <input type="text"/> | 15 - 6 = <input type="text"/> |
| 13 - 9 = <input type="text"/> | 8 + 5 = <input type="text"/> | 6 + 6 = <input type="text"/> | 8 + 9 = <input type="text"/> | 14 - 7 = <input type="text"/> |
| 9 + 9 = <input type="text"/> | 11 - 2 = <input type="text"/> | 13 - 4 = <input type="text"/> | 12 - 6 = <input type="text"/> | 11 - 6 = <input type="text"/> |

Aufgaben mit Platzhaltern

$$\begin{array}{cccc} 6 + 3 = \underline{\quad} & \underline{\quad} + 3 = 8 & 2 + 4 = \underline{\quad} & 5 + 2 = \underline{\quad} \\ \underline{\quad} + 1 = 7 & 1 + 4 = \underline{\quad} & \underline{\quad} + 1 = 10 & \underline{\quad} + 2 = 10 \\ \underline{\quad} + 4 = 10 & 4 + \underline{\quad} = 10 & \underline{\quad} + 5 = 9 & 8 + \underline{\quad} = 9 \\ 8 + \underline{\quad} = 10 & 5 + \underline{\quad} = 7 & 2 + 8 = \underline{\quad} & 5 + \underline{\quad} = 9 \end{array}$$

$$\begin{array}{cccc} 10 - \underline{\quad} = 2 & \underline{\quad} - 3 = 6 & 2 - 1 = \underline{\quad} & 8 - \underline{\quad} = 6 \\ \underline{\quad} - 8 = 2 & 6 - 5 = \underline{\quad} & 8 - 4 = \underline{\quad} & 6 - 3 = \underline{\quad} \\ \underline{\quad} - 1 = 1 & \underline{\quad} - 4 = 6 & 4 - 1 = \underline{\quad} & 4 - 2 = \underline{\quad} \\ 3 - \underline{\quad} = 1 & 7 - 1 = \underline{\quad} & 5 - \underline{\quad} = 1 & \underline{\quad} - 1 = 3 \end{array}$$

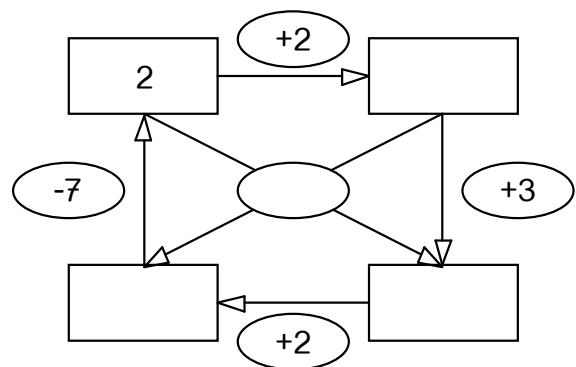
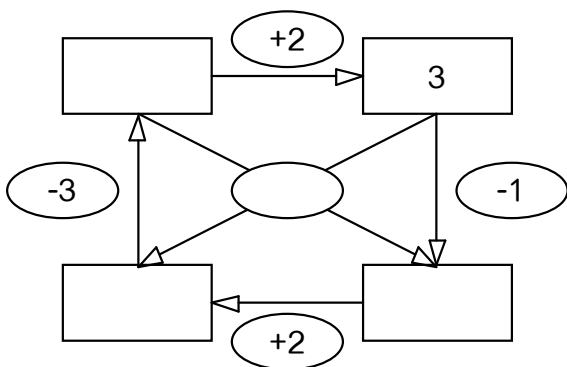
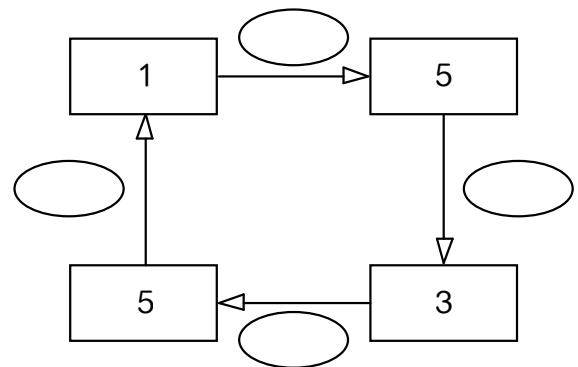
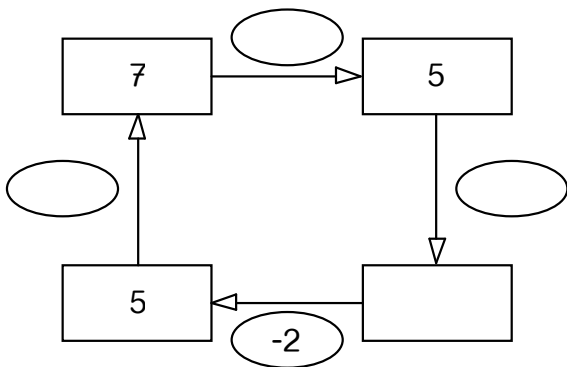
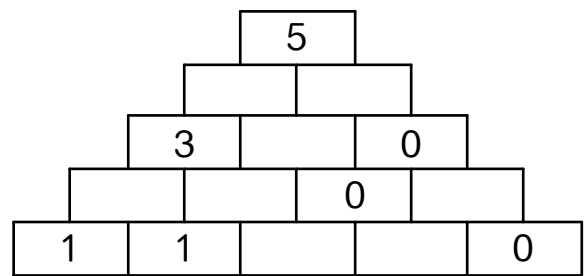
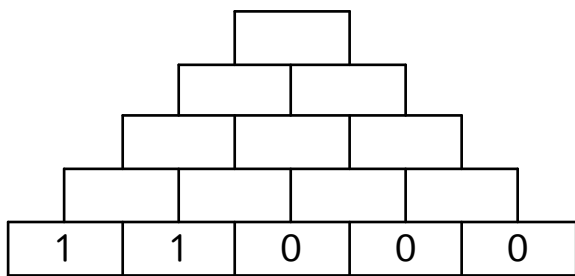
$$\begin{array}{cccc} 3 + 9 = \underline{\quad} & 8 + 9 = \underline{\quad} & \underline{\quad} + 9 = 15 & \underline{\quad} + 8 = 11 \\ 5 + \underline{\quad} = 12 & \underline{\quad} + 9 = 11 & 4 + 8 = \underline{\quad} & 3 + \underline{\quad} = 12 \\ 7 + 9 = \underline{\quad} & 8 + \underline{\quad} = 12 & \underline{\quad} + 8 = 12 & 2 + \underline{\quad} = 11 \\ 3 + 8 = \underline{\quad} & 9 + \underline{\quad} = 14 & \underline{\quad} + 9 = 12 & 6 + 9 = \underline{\quad} \end{array}$$

$$\begin{array}{cccc} 11 - 3 = \underline{\quad} & 17 - 8 = \underline{\quad} & 17 - \underline{\quad} = 8 & 11 - \underline{\quad} = 4 \\ \underline{\quad} - 7 = 9 & 12 - 7 = \underline{\quad} & 16 - 9 = \underline{\quad} & 18 - \underline{\quad} = 9 \\ 15 - \underline{\quad} = 8 & \underline{\quad} - 9 = 9 & 14 - \underline{\quad} = 5 & 12 - 9 = \underline{\quad} \\ 16 - \underline{\quad} = 7 & 12 - 5 = \underline{\quad} & 14 - 8 = \underline{\quad} & \underline{\quad} - 8 = 3 \end{array}$$

$$\begin{array}{cccc} \underline{\quad} + 8 = 13 & 5 + \underline{\quad} = 14 & \underline{\quad} + 5 = 12 & 13 - 4 = \underline{\quad} \\ \underline{\quad} + 7 = 13 & 12 - \underline{\quad} = 6 & 7 + 7 = \underline{\quad} & 3 + \underline{\quad} = 11 \\ 7 + \underline{\quad} = 16 & 16 - \underline{\quad} = 7 & 15 - \underline{\quad} = 7 & 2 + \underline{\quad} = 11 \\ \underline{\quad} - 9 = 3 & 5 + \underline{\quad} = 11 & \underline{\quad} - 4 = 7 & 3 + \underline{\quad} = 12 \\ 4 + \underline{\quad} = 12 & 6 + 9 = \underline{\quad} & 4 + \underline{\quad} = 13 & 17 - \underline{\quad} = 8 \\ 18 - 9 = \underline{\quad} & 16 - 7 = \underline{\quad} & 8 + 6 = \underline{\quad} & 12 - 5 = \underline{\quad} \end{array}$$

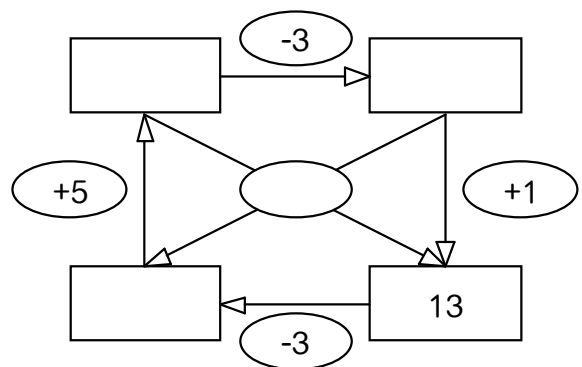
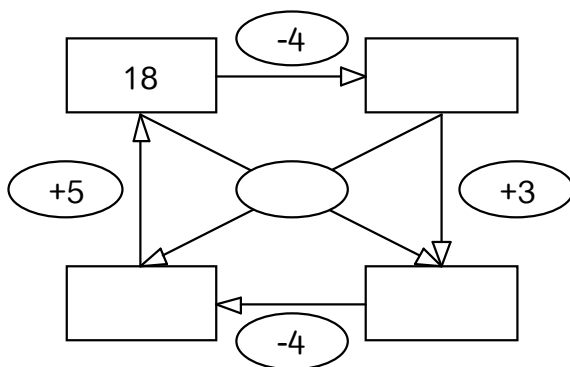
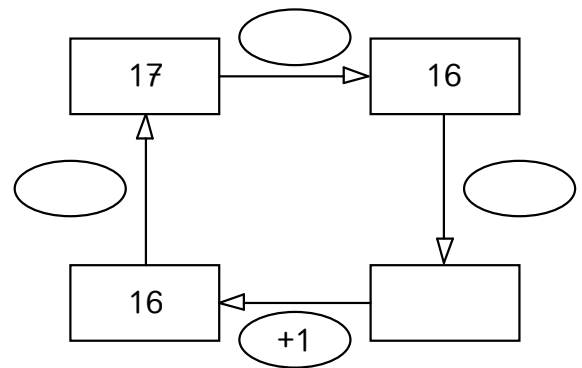
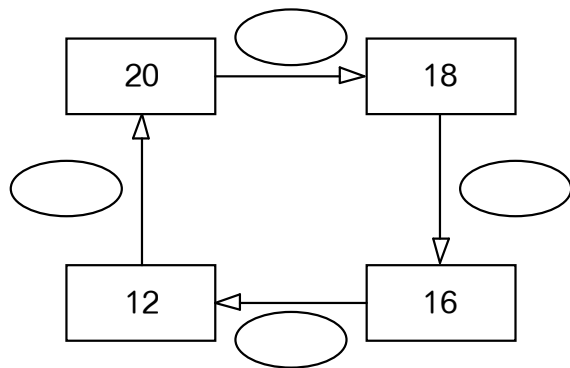
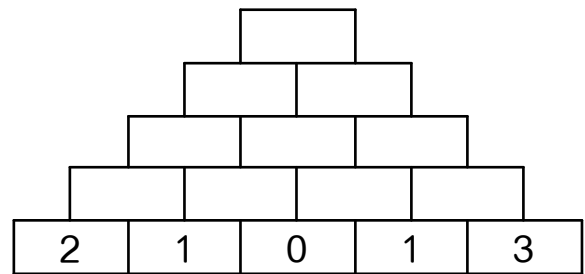
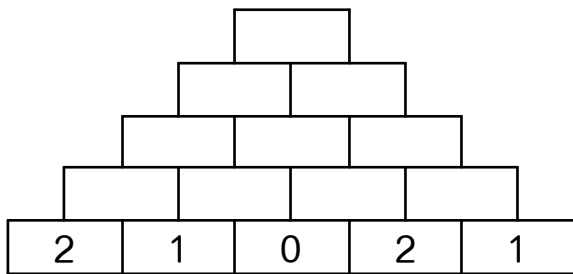
Aufgaben bis 10 einmal anders

| | | | | | | | | | | | |
|---|---|---|---|---|---|---|---|----|---|---|---|
| 8 | | 7 | | 9 | | 5 | | 10 | | 6 | |
| | 2 | | 3 | | 1 | 3 | | 5 | | | 0 |
| 0 | | | 2 | 6 | | | | | 9 | 0 | |
| 8 | | | 0 | 1 | 2 | | 0 | | 7 | 5 | |
| | 6 | | 6 | 0 | | | 3 | 2 | 6 | | 2 |
| 1 | | 3 | | | 0 | | 5 | | 1 | | |
| | 1 | | 5 | | 7 | | | | 0 | 2 | |
| 3 | | | | 4 | | | | | | | |



Aufgaben bis 20 einmal anders

| | | | | | | | | | | | |
|----|----|----|----|----|----|----|----|----|----|----|----|
| 18 | | 11 | | 16 | | 17 | | 14 | | 12 | |
| 13 | | 9 | | 4 | | 6 | | 14 | | | 12 |
| | 10 | | 10 | 0 | | 16 | | 4 | | 6 | |
| 16 | | 6 | | 11 | | | 12 | | 8 | | 0 |
| 4 | | 11 | | | 15 | 8 | | 1 | | 9 | |
| 11 | | | 11 | | 8 | | 8 | 8 | | 2 | |
| | 12 | 5 | | | 2 | 1 | | | 11 | 3 | |
| 17 | | 10 | | | 3 | 7 | | | 1 | 10 | |



Zauberquadrate

| | | |
|---|--|---|
| | | 8 |
| | | 3 |
| 2 | | 4 |

| | | |
|---|---|---|
| | | |
| 4 | 6 | 8 |
| 9 | | |

| | | |
|---|---|---|
| 4 | 3 | 8 |
| | | 1 |
| | | |

Finde die fehlenden Zahlen!

$$\begin{array}{cccc} \boxed{1} & + & \boxed{9} & = & \boxed{} \\ \oplus & & \oplus & & \oplus \\ \boxed{7} & + & \boxed{9} & = & \boxed{} \\ = & & = & & = \\ \boxed{} & + & \boxed{} & = & \boxed{} \end{array}$$

$$\begin{array}{cccc} \boxed{2} & + & \boxed{9} & = & \boxed{} \\ \oplus & & \oplus & & \oplus \\ \boxed{1} & + & \boxed{3} & = & \boxed{} \\ = & & = & & = \\ \boxed{} & + & \boxed{} & = & \boxed{} \end{array}$$

$$\begin{array}{cccc} \boxed{5} & + & \boxed{6} & = & \boxed{} \\ \oplus & & \ominus & & \oplus \\ \boxed{8} & - & \boxed{3} & = & \boxed{} \\ = & & = & & = \\ \boxed{} & + & \boxed{} & = & \boxed{} \end{array}$$

$$\begin{array}{cccc} \boxed{4} & + & \boxed{8} & = & \boxed{} \\ \oplus & & \ominus & & \oplus \\ \boxed{7} & - & \boxed{1} & = & \boxed{} \\ = & & = & & = \\ \boxed{} & + & \boxed{} & = & \boxed{} \end{array}$$

$$\begin{array}{cccc} \boxed{6} & + & \boxed{} & = & \boxed{} \\ \oplus & & \oplus & & \oplus \\ \boxed{} & + & \boxed{1} & = & \boxed{} \\ = & & = & & = \\ \boxed{13} & + & \boxed{} & = & \boxed{21} \end{array}$$

$$\begin{array}{cccc} \boxed{} & + & \boxed{1} & = & \boxed{} \\ \oplus & & \oplus & & \oplus \\ \boxed{8} & + & \boxed{} & = & \boxed{14} \\ = & & = & & = \\ \boxed{16} & + & \boxed{} & = & \boxed{} \end{array}$$

Zahlenrätsel 1

Zähle zu meiner Zahl
die 2 hinzu
und du erhältst 6

$$\square + 2 = 6$$

Zähle zu meiner Zahl
die 4 hinzu
und du erhältst 18

$$\square + 4 = 18$$

Zähle zu meiner Zahl
die 6 hinzu
und du erhältst 18

$$\square + 6 = 18$$

Meine Zahl ist um
4 größer als 6

$$\square + \square = \square$$

Meine Zahl ist um
2 größer als 7

$$\square + \square = \square$$

Meine Zahl ist um
5 größer als 14

$$\square + \square = \square$$

Meine Zahl ist um
4 größer als 10

Sie lautet

Meine Zahl ist um
8 größer als 12

Sie lautet

Meine Zahl ist um
6 größer als 12

Sie lautet

Zähle zu meiner Zahl
die 9 hinzu
und du erhältst 14

$$\square + 9 = 14$$

Zähle zu meiner Zahl
die 7 hinzu
und du erhältst 13

$$\square + \square = \square$$

Zähle zu meiner Zahl
die 9 hinzu
und du erhältst 16

Meine Zahl:

Ziehe von meiner
Zahl die 4 ab
und du erhältst 12

$$\square - 4 = 12$$

Ziehe von meiner
Zahl die 8 ab
und du erhältst 8

$$\square - \square = \square$$

Ziehe von meiner
Zahl die 3 ab
und du erhältst 10

Sie lautet

Addiere zu meiner
Zahl die 7
und du erhältst 13

$$\square + 7 = 13$$

Addiere zu meiner
Zahl die 4
und du erhältst 15

$$\square + \square = \square$$

Addiere zu meiner
Zahl die 8
und du erhältst 18

Meine Zahl:

Subtrahiere von
meiner Zahl die 5
und du erhältst 7

$$\square - 5 = 7$$

Subtrahiere von
meiner Zahl die 4
und du erhältst 8

$$\square - \square = \square$$

Subtrahiere von
meiner Zahl die 6
und du erhältst 13

Sie lautet

Zahlenrätsel 2

$5 + 8 =$ ☀
 ☀ - $7 =$ ✈
 ✈ + $2 =$ ✋
 ✋ - $5 =$ ❄

| | | | | | | | | |
|--|--|--|--|--|--|--|--|--|
| | | | | | | | | |
| | | | | | | | | |
| | | | | | | | | |
| | | | | | | | | |

☀ =
 ✈ =
 ✋ =
 ❄ =

$5 + 12 =$ ✋
 ✋ - $13 =$ ✉
 ✉ + $9 =$ 📺
 📺 - $7 =$ ☆

| | | | | | | | | |
|--|--|--|--|--|--|--|--|--|
| | | | | | | | | |
| | | | | | | | | |
| | | | | | | | | |
| | | | | | | | | |

✋ =
 ✉ =
 📺 =
 ☆ =

$5 + 12 =$ ✎
 ✎ - $5 =$ 🌸
 🌸 + $2 =$ ⚓
 ⚓ - $7 =$ ☹

| | | | | | | | | |
|--|--|--|--|--|--|--|--|--|
| | | | | | | | | |
| | | | | | | | | |
| | | | | | | | | |
| | | | | | | | | |

✎ =
 🌸 =
 ⚓ =
 ☹ =

$5 + 3 =$ ☹
 ☹ - $2 =$ 🕶
 🕶 + $8 =$ ✉
 ✉ - $10 =$ ✋

| | | | | | | | | |
|--|--|--|--|--|--|--|--|--|
| | | | | | | | | |
| | | | | | | | | |
| | | | | | | | | |
| | | | | | | | | |

☹ =
 🕶 =
 ✉ =
 ✋ =

$5 + 4 =$ ✈
 ✈ - $6 =$ ☆
 ☆ + $16 =$ 📺
 📺 - $14 =$ ✋

| | | | | | | | | |
|--|--|--|--|--|--|--|--|--|
| | | | | | | | | |
| | | | | | | | | |
| | | | | | | | | |
| | | | | | | | | |

✈ =
 ☆ =
 📺 =
 ✋ =

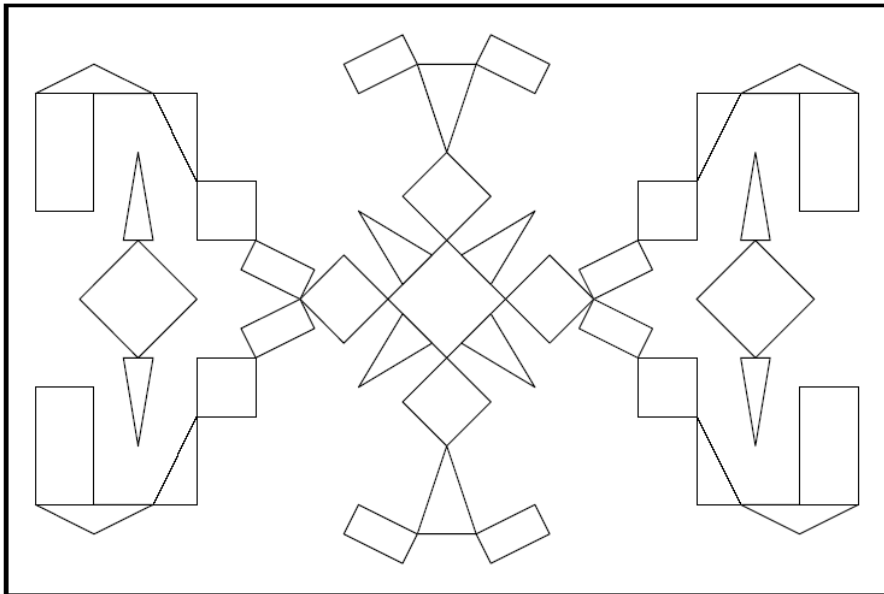
$5 + 10 =$ ✎
 ✎ - $2 =$ ✎
 ✎ + $5 =$ ⌚
 ⌚ - $7 =$ ✌

| | | | | | | | | |
|--|--|--|--|--|--|--|--|--|
| | | | | | | | | |
| | | | | | | | | |
| | | | | | | | | |
| | | | | | | | | |

✎ =
 ✎ =
 ⌚ =
 ✌ =

Male aus!

1.

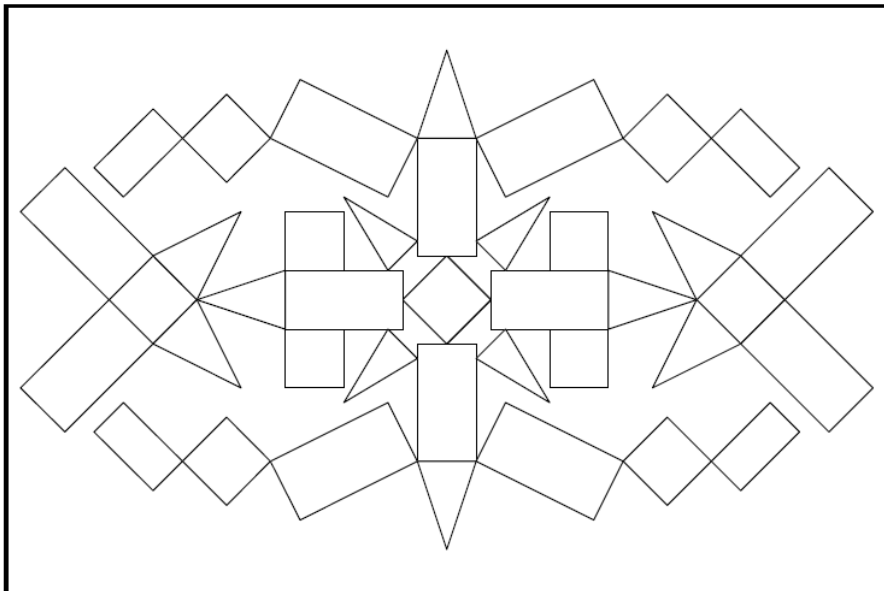


Male an:
Quadrat grün

Rechteck blau

Dreieck rot

2.

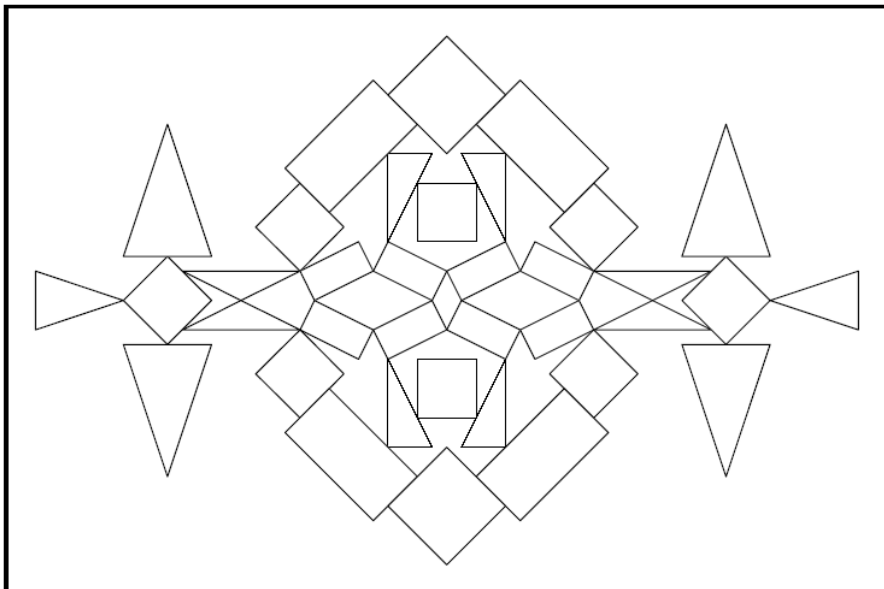


Male an:
Quadrat grün

Rechteck blau

Dreieck rot

3.



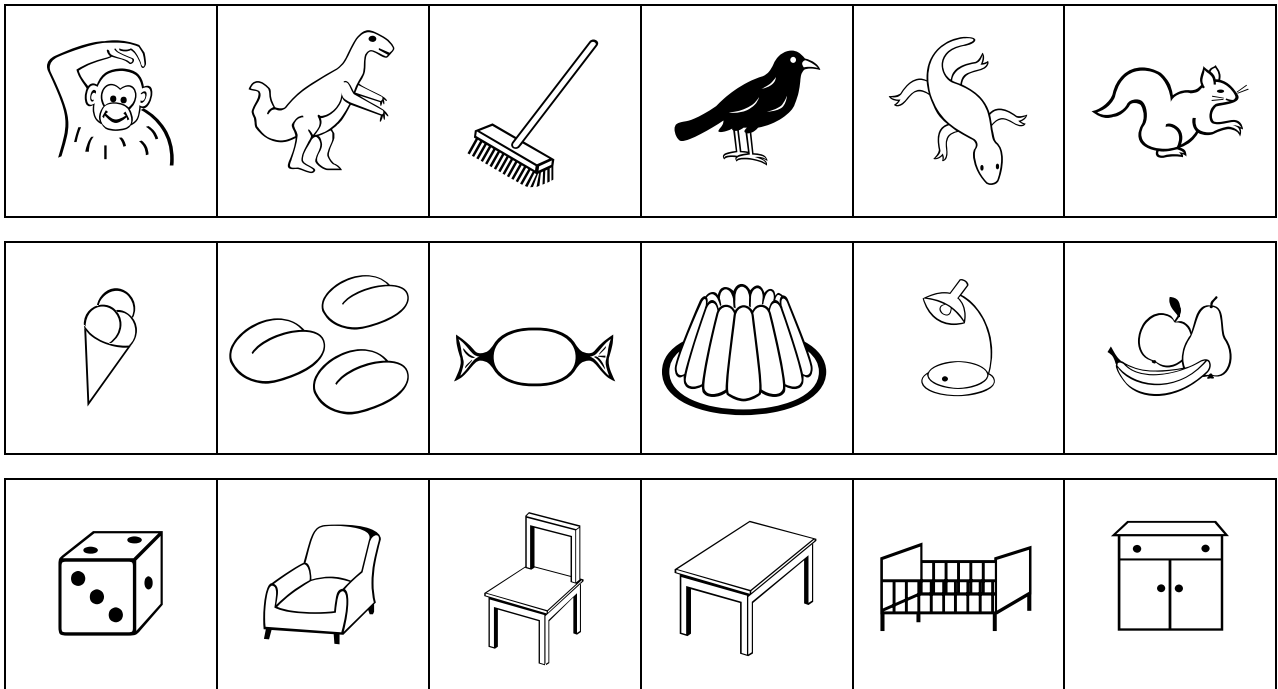
Male an:
Quadrat grün

Rechteck blau

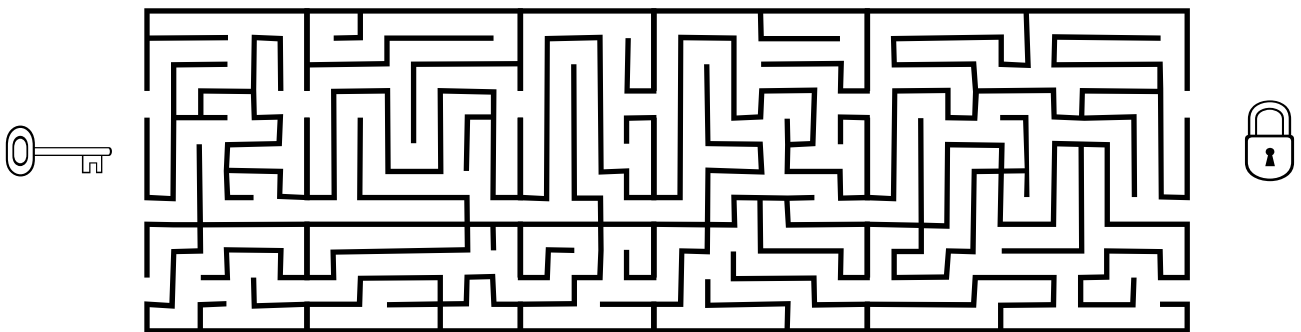
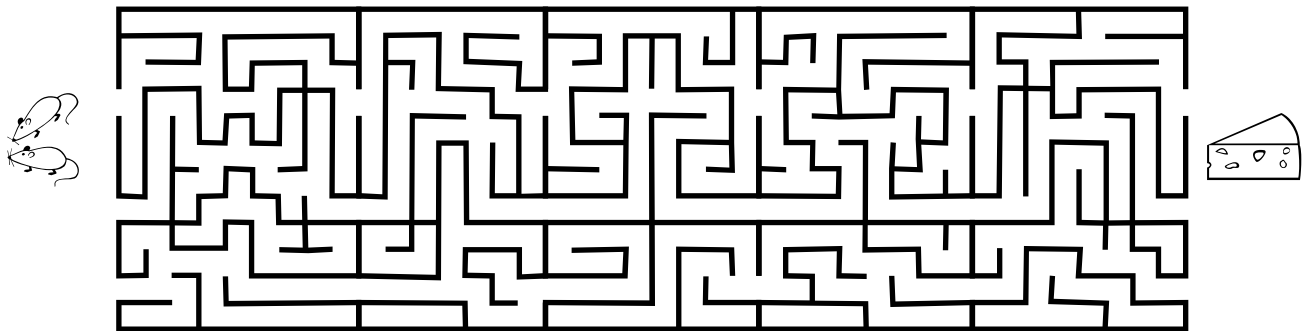
Dreieck rot

Ein Bild ist jeder Reihe falsch!

Streiche es durch!



Finde die richtigen Wege!



Was steht hier geschrieben? Male alle Felder mit einem Pünktchen aus!

